

Verderflex

Dura 15



VERDERFLEX®

Description

The Verderflex Dura 15 is a compact, high pressure hose pump with superior secondary containment. Designed for dosing, metering, sampling, high lift or medium head applications in brewing, chemical processing, industrial plants, water treatment and waste water processing

Features and benefits

- ↪ Ideal for abrasive or high solid content slurries
- ↪ Self Priming, problem free pumping of gaseous liquids
- ↪ Easily pumps viscous liquids
- ↪ Gentle low shear pumping action
- ↪ Dry running capabilities
- ↪ Long life hoses
- ↪ No seals or valves

Technical data

Maximum Flow Rate	2.6 GPM	Maximum Medium Temperature	176°F *
Maximum Discharge Pressure	175 PSI	Maximum Incompressible Solid Size	1/16 in
Maximum Suction Lift	31 ftwc	Maximum Compressible Solid Size	5/32 in
Hose ID	15 mm		

* Continuous use with NR hose

Materials

Description	Material	Paint Detail
Pump Housing	Cast Iron (ASTM A48)	Green Powder Coated
Front Cover	Carbon Steel with Plexiglass Inspection Window	Powder Coated
Rotor	Cast Iron (ASTM A48)	
Drive Shaft	EN24T Steel	
Port Flange	316 Stainless Steel Universal slotted design fits with DIN PN16, ANSI 150# & JIS10K Options: 316 Stainless Steel with Hose Tail Connection 304 Stainless Steel with Polypropylene or P.V.D.F Insert	
Mounting Frame	Carbon Steel	Powder Coated
Gearbox Flange	Aluminium	
Bearing	Bearing Steel	
Shaft Seal	Viton Option: PTFE	
Lubricant	Verderlube - Glycerine based lubricant Verdersil - Silicone based lubricant	
Hose	Natural Rubber (NR) Options: Nitrile Buna Rubber (NBR) Ethylene Propylene Diene Monomer (EPDM), Hypalon® (CSM) and Verderprene	
Weight	Complete pump excluding drive: 70lb	



Verderflex

Dura 15

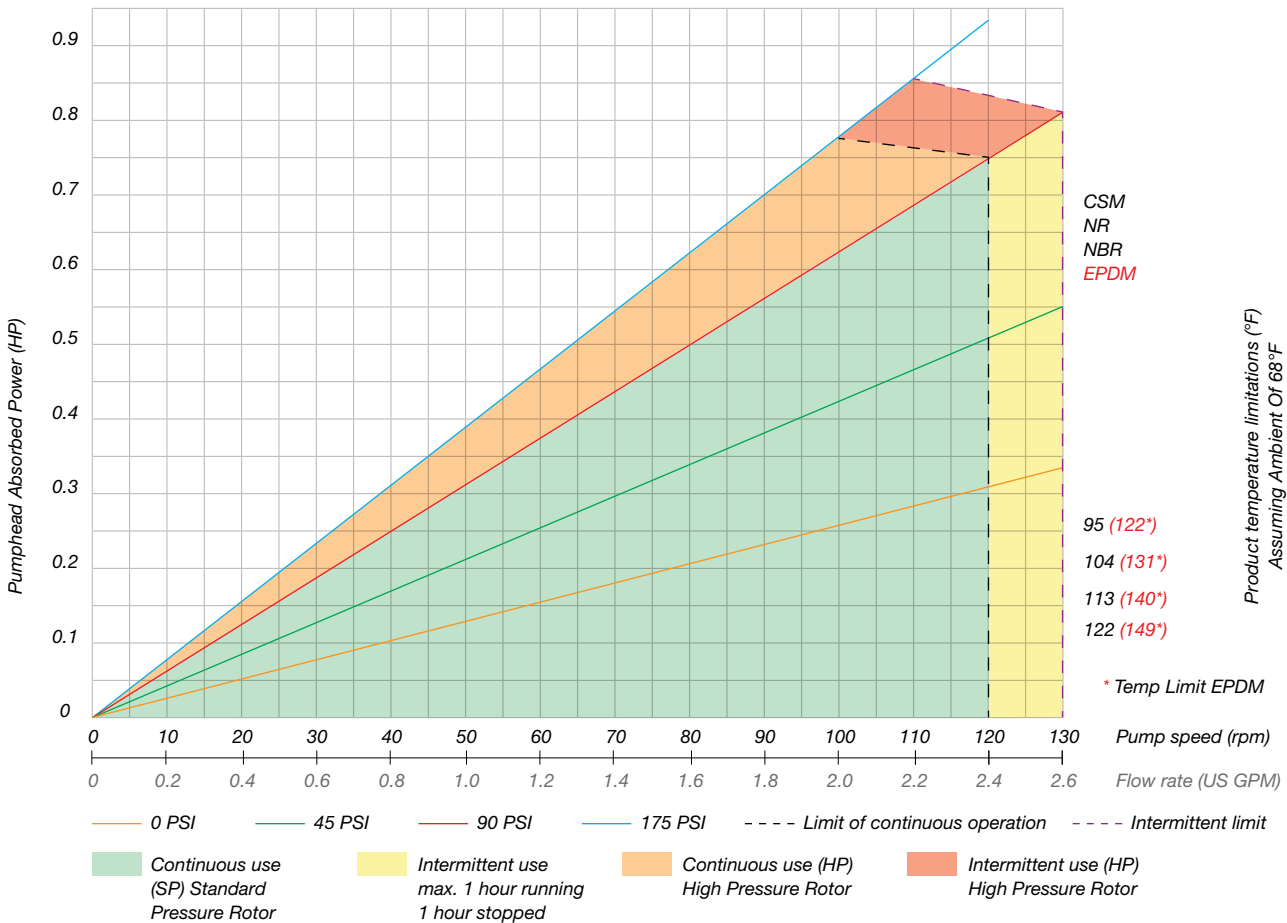


VERDERFLEX®

Standard Pump Options for 60Hz Motor Fitted With Worm Gearbox, Suitable for Inverter Duty

Flow GPM	Pump Speed RPM	Maximum Pressure PSI
0.7	35	174
0.88	44	174
1.17	58	174
1.41	70	174
1.77	88	174

Performance curve



Any application below 15 Hz may require special review. Flows are typical and were measured with water at 70°F with no suction lift or discharge pressure. Actual flows will vary according to suction conditions, discharge pressure and normal component production tolerances.

DURA PUMPS OPERATING ABOVE 90 PSI REQUIRE CONSULTATION WITH MANUFACTURER OR DISTRIBUTOR.



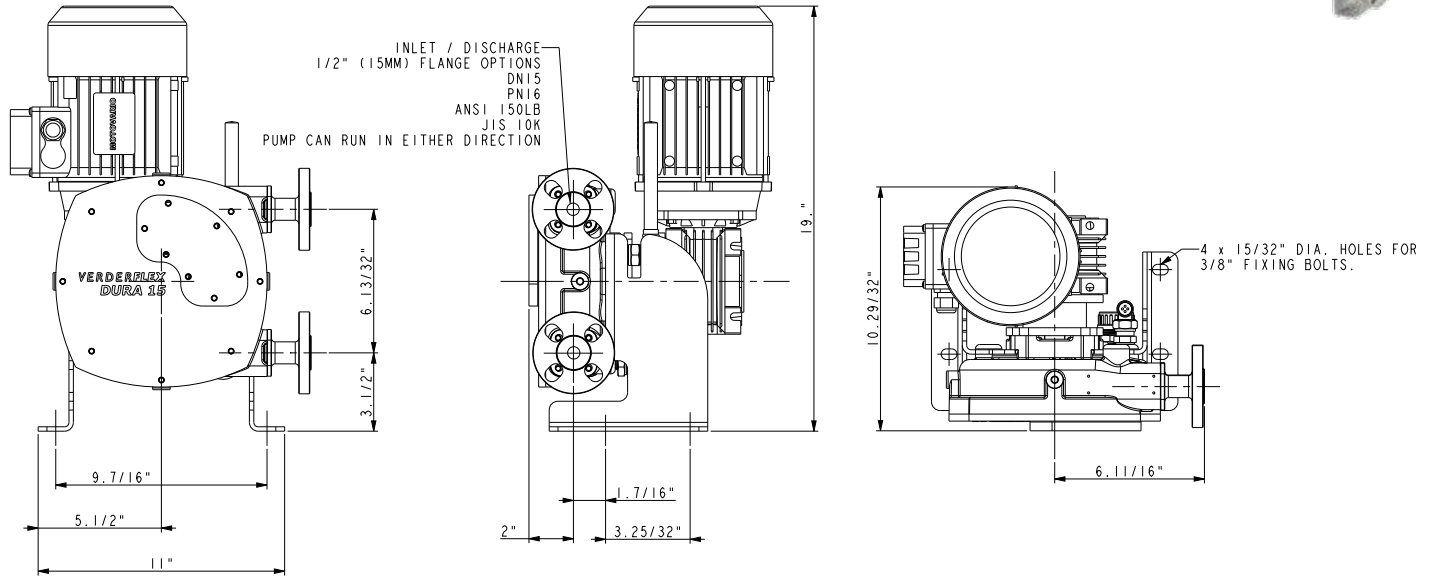
Verderflex

Dura 15



VERDERFLEX®

Dimensions



All dimensions are in inches.

All dimensions and weights are for guidance only.



Find your local supplier at www.verderflex.com

For construction, installation and floor mounting drawings
please contact your local authorised Verderflex® distributor.

VERDER
passion for pumps