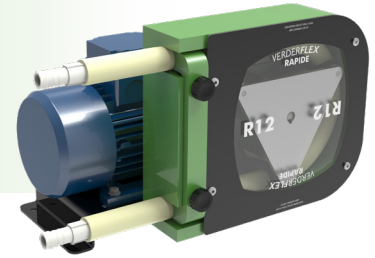


Verderflex

Rapide R12



VERDERFLEX®

Verderflex Rapide R12 Specifications

Standard Speeds	93 and 140 RPM
Control	Inverter Optional
Rotor Assembly	Anodised Aluminium with Three Nylatron® Rollers
Voltage	230/400V 50Hz (Single Phase Available to special order)
Installed Motor Power	0.18 kW 50Hz
Protection Class	IP55
Standard Tube Options	Verderprene, Silicone
Tube Size	15.9 x 4.8 mm
Weight	12kg

Flow Rates

Tube	RPM	Flow ml/min	Flow l/hr
15.9 x 4.8	93	9,300	558
15.9 x 4.8	140	14,000	840

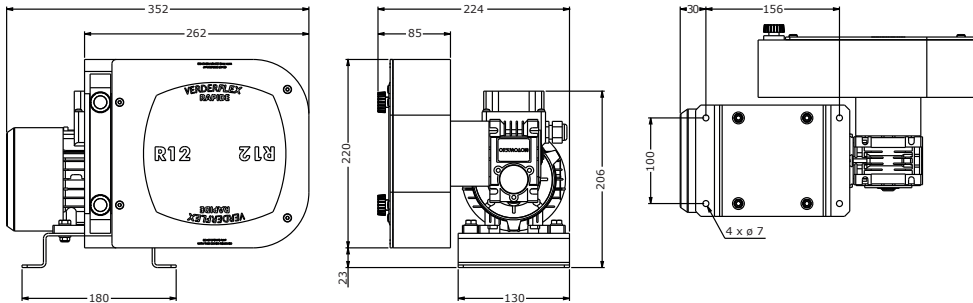
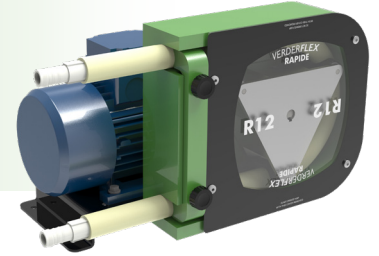
**actual speed and flow rates may vary depending on motor speeds, the medium being pumped and the actual application setup*

Nominal pump speed based on 50Hz operation

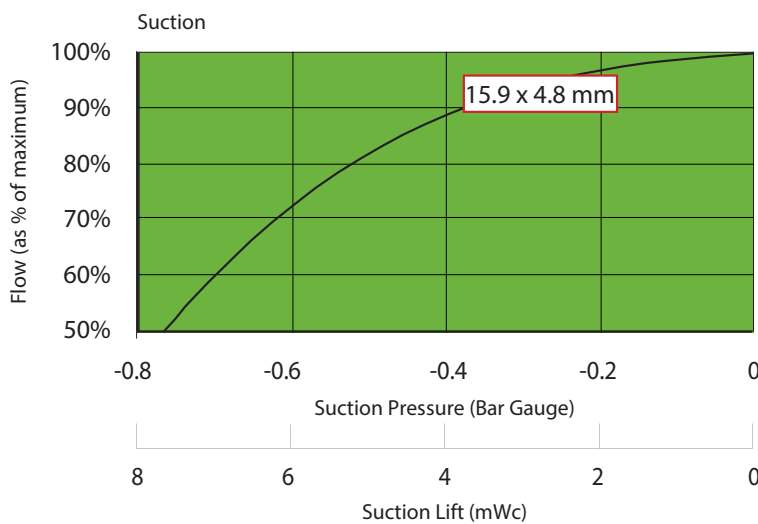
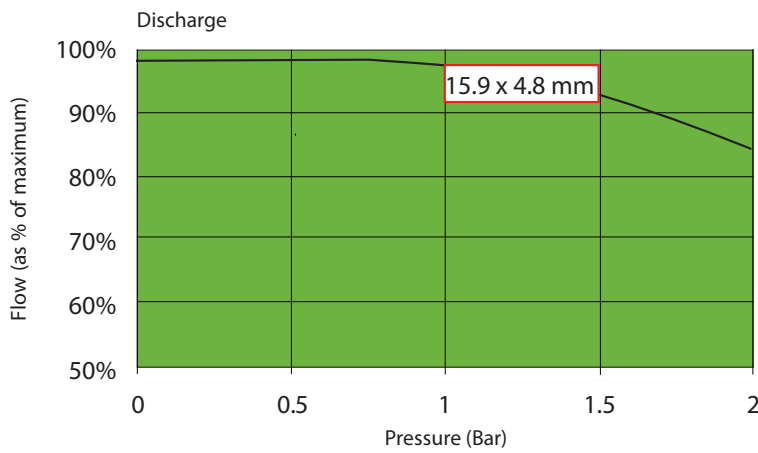
Flows are typical and were measured with water at 20°C with no suction lift or discharge pressure. Actual flows will vary according to suction conditions, discharge pressure, tube material and production tolerances.



Verderflex Rapide R12



All dimensions are in mm.
All dimensions and weights are for guidance only.



Find your local supplier
at www.verderflex.com

For construction installation and floor mounting drawings
please contact your local authorised Verderflex® distributor.