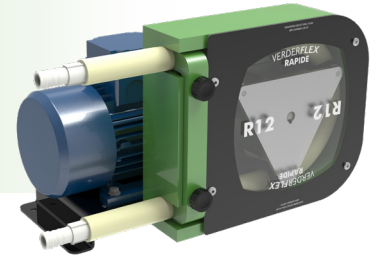


Verderflex

Rapide R12



VERDERFLEX®

Verderflex Rapide R12 Specifications

Standard Speeds	115 & 173 RPM
Control	Inverter Optional
Rotor Assembly	Anodised Aluminium with Three Nylatron® Rollers
Voltage	265/460V 60Hz (Single Phase Available to special order)
Installed Motor Power	¼ HP 60Hz
Protection Class	IP55
Standard Tube Options	Verderprene, Silicone
Tube Size	5/8" x 3/16" (15.9 x 4.8 mm)
Weight	26.5 lbs

Flow Rates

Tube	RPM	Flow GPH	Flow GPM	Flow ml/min	Flow l/h
5/8" x 3/16"	115	182	3.03	11.470	688.2
5/8" x 3/16"	173	273	4.56	17.260	1035.6

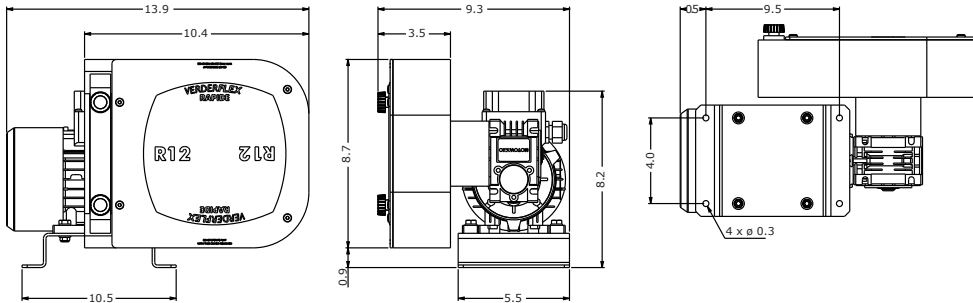
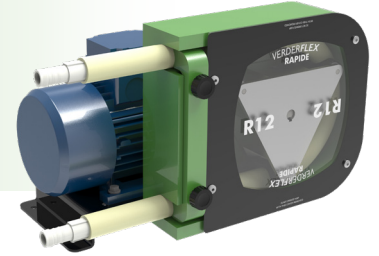
**actual speed and flow rates may vary depending on motor speeds, the medium being pumped and the actual application setup*

Nominal pump speed based on 60Hz operation

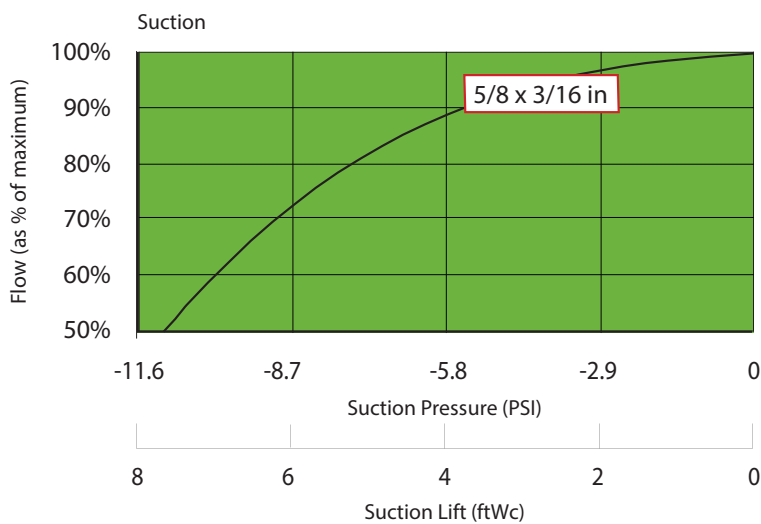
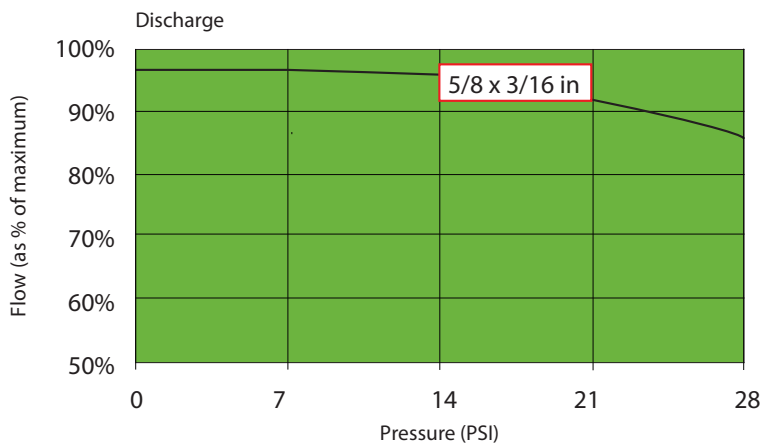
Flows are typical and were measured with water at 68°F with no suction lift or discharge pressure. Actual flows will vary according to suction conditions, discharge pressure, tube material and production tolerances.



Verderflex Rapide R12



All dimensions are in inches.
All dimensions and weights are for guidance only.



Find your local supplier
at www.verderflex.com

For construction installation and floor mounting drawings
please contact your local authorised Verderflex® distributor.

VERDER
passion for pumps