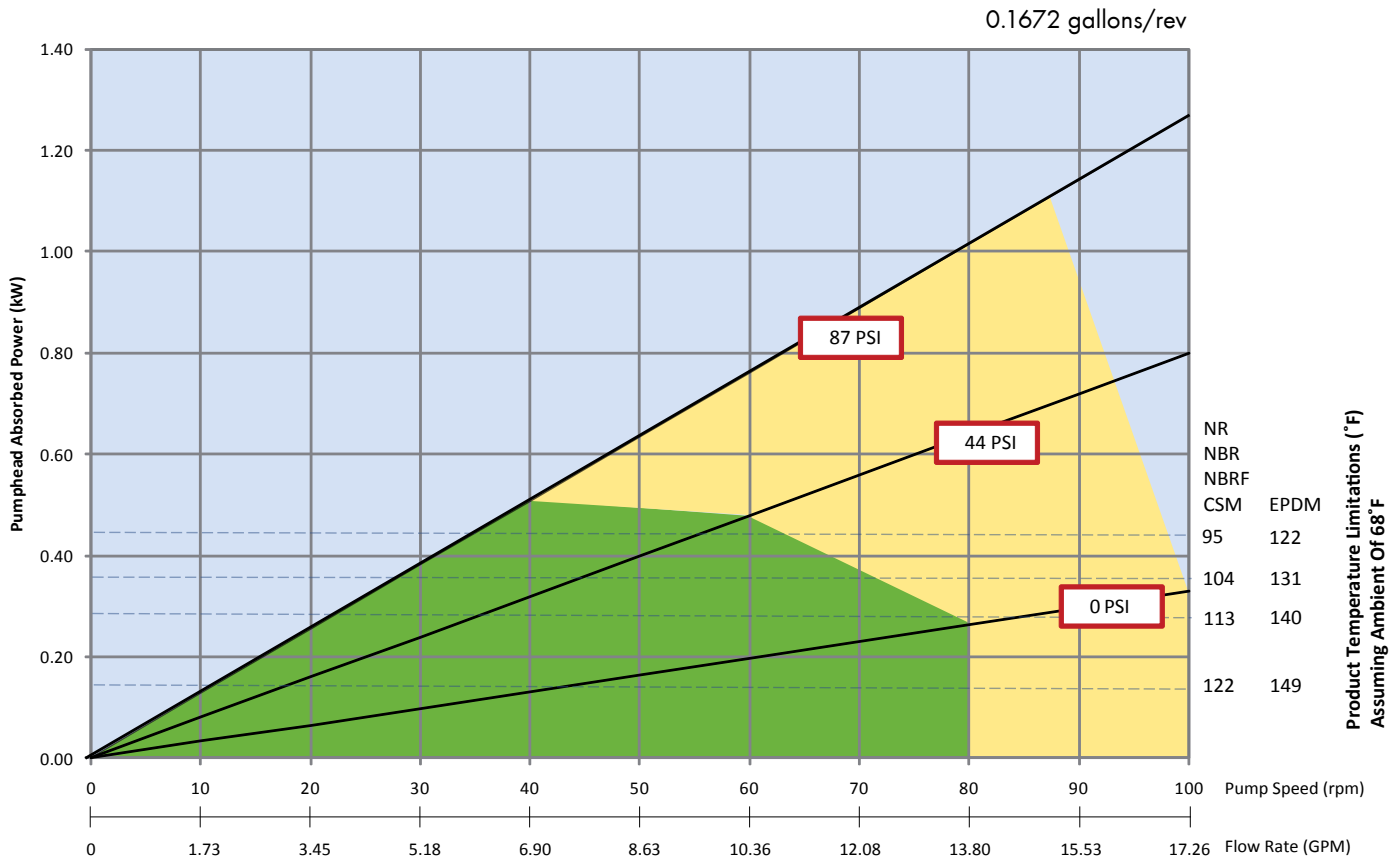


Verderflex[®] Dura 35 Technical Data Sheet

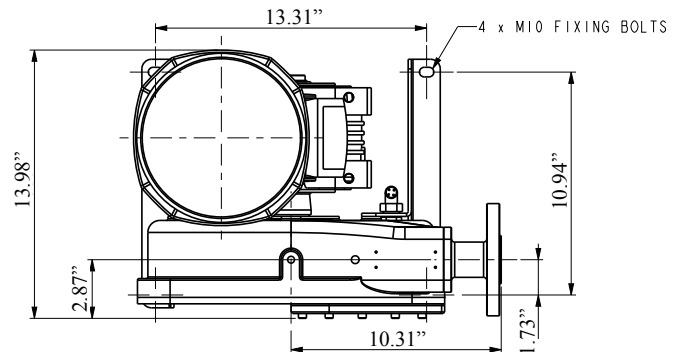
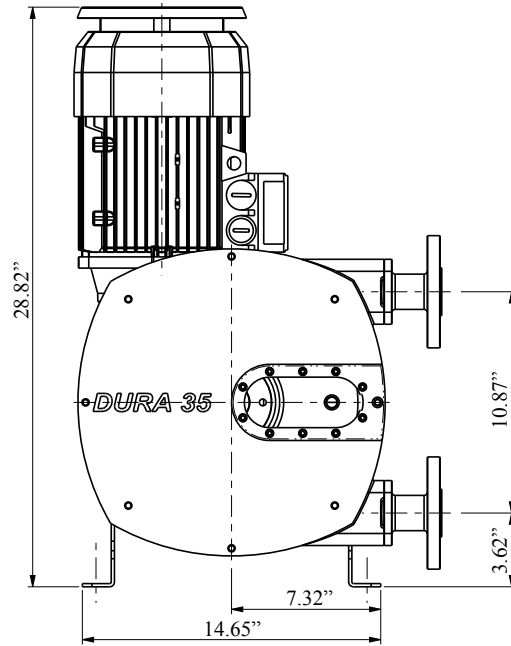
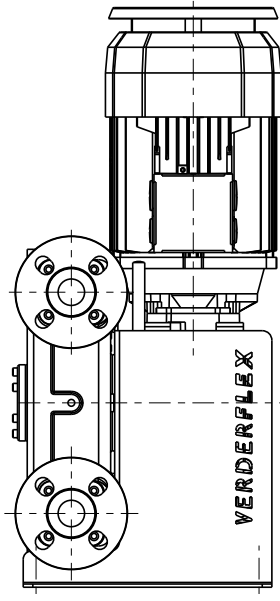


Flows are typical and were measured with water at 68°F with no suction lift or discharge pressure. Actual flows will vary according to suction conditions, discharge pressure and normal component production tolerances.

Description	Material	Description	Material
Pump Housing	Cast Iron GG25 (RAL 6018 - Green)	Torque Arm	Carbon Steel (RAL 7021)
Front Cover	Powder Coated Carbon Steel (RAL 7021) with Polycarbonate Front Inspection Window	Bearing	Bearing Steel
Rotor	Cast Iron GG25	Shaft Seal	Viton Option: PTFE
Drive Shaft	EN24T Steel	Lubricant	Verderlube - Glycerine based lubricant Verdersil - Silicone based lubricant
Flange	316 Stainless Steel Universal slotted design complies with DIN PN16, ANSI 150# & JIS10K	Hose	Natural Rubber (NR) Options: Ethylene Propylene Diene Monomer (EPDM), Hypalon [®] (CSM) and Verderprene
Base frame	Powder Coated Carbon Steel (RAL 7035 - Grey)		
Weight - Complete pump excluding drive		128 lbs	

Verderflex® Dura 35 Technical Data Sheet

Typical General Assembly Drawing



Please Note: These GA drawings are for guidance only. For mounting drawings please contact an authorised Verderflex® distributor.

Standard Pump Configurations

Flow (GPH)	Pump Speed RPM	Installed Motor Power kW	Max Turndown at 6 Bar discharge pressure
155	15	0.55	1.5:1
238	23	0.92	2:1
362	35	1.1	2:1
487	47	1.5	2:1
580	56	1.5	2:1
725	70	2.2	3:1

Any application below 15 Hz may require special investigation

VERDERFLEX

Unit 3, California Drive, TEL +44 (0)1924 221 020
 Castleford WF10 5QH FAX +44 (0)113 222 0291
 United Kingdom MAIL info@verderflex.com
 WEB www.verderflex.com

AT Wien BE Aartselaar BG Sofia CH Basel CN Shanghai CZ Praha DE
 Haan FR Eragny s/Oise GB Castleford HU Budapest IT Torre Boldone
 JP Tokyo NL Groningen/Vleuten PL Katowice RO Bucuresti/Sibiu
 RU St Petersburg SK Bratislava US Newtown/Macon ZA Northriding