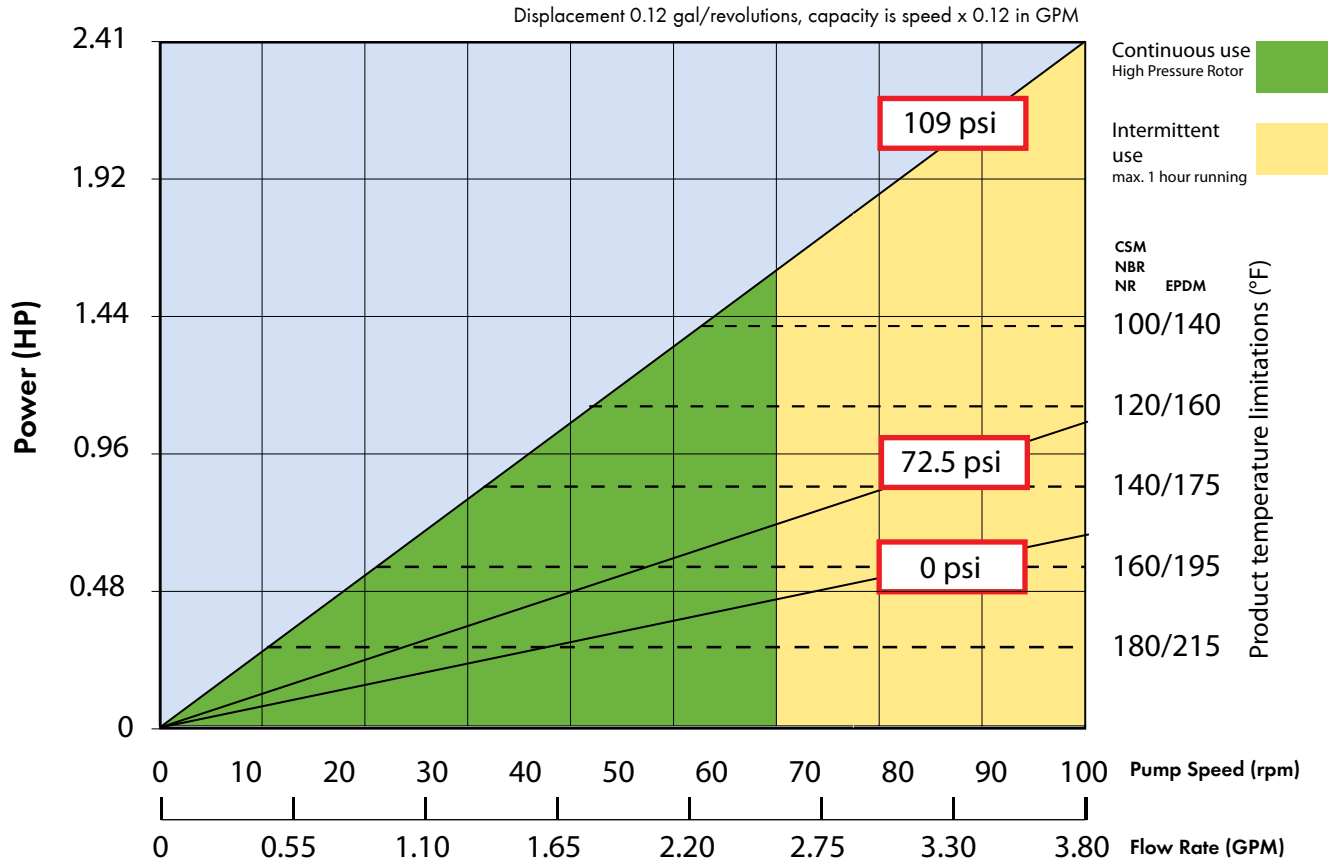


VERDERFLEX VF20 Technical Data Sheet



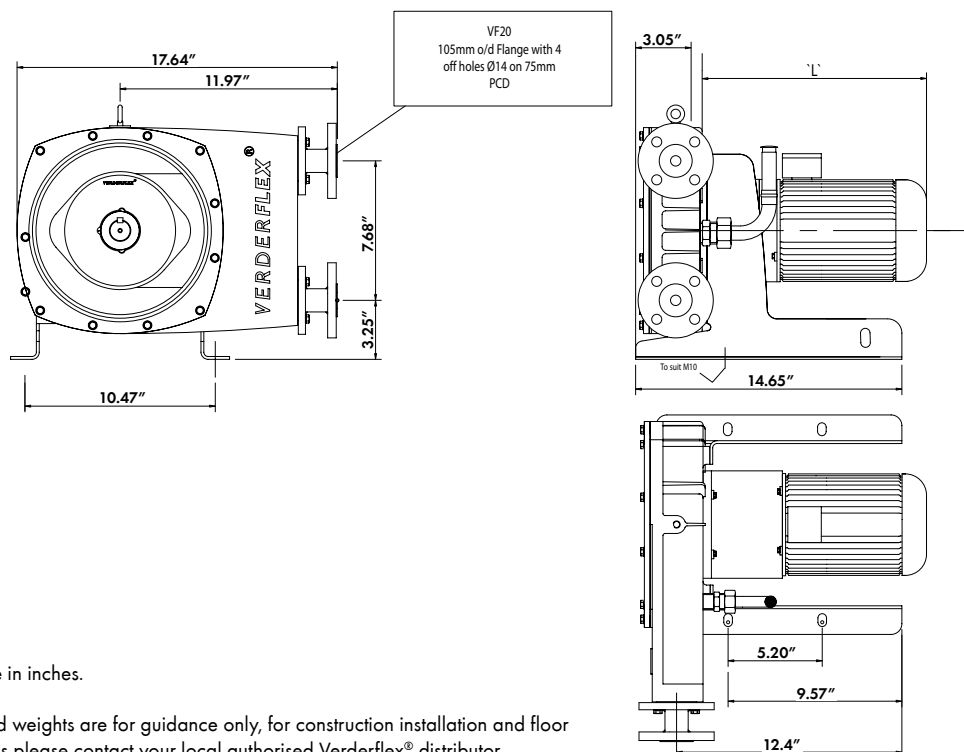
Please Note: The VF20 pump can only be used at low pressures (72.5 or 109 PSI) There is no high pressure rotor option.

VERDERFLEX VF20

Technical Data Sheet

VERDERFLEX®

General Arrangement Layout



All dimensions are in inches.

All dimensions and weights are for guidance only, for construction installation and floor mounting drawings please contact your local authorised Verderflex® distributor.

Standard Materials of Construction

Description	Material	Weight (lbs)	Paint Detail
Pump Housing	Aluminium (LM25)	15.4	RAL 6018 (Green)
Front Cover	Clear Polycarbonate	1.5	
Rotor	Aluminium (BS.1490:1988 LM25M)	0.9	
Flanges	Mild Steel (BS EN.10.025 FE430A)	3.3 each	
Inserts	Stainless Steel (316L) Polypropylene P.V.D.F	0.3	
Base Frame	Powder Coated Carbon Steel	6.6	RAL 7035 (Grey)
Bearing Cartridge	Cast Iron with high tensile steel shaft	11.0	RAL 7021 (Black)
Lubricant	Verderlube - Glycerine based compound Verdersil - Silicone oil	0.13 litres	
Hose	NR, NBR, NBR Food Grade, CSM and EPDM	1.5	
Aluminium Close coupled pump unit - "Flat Pack"		41.9	

VERDERFLEX

Unit 3, California Drive, Castleford WF10 5QH United Kingdom
 TEL +44 (0)1924 221 020
 FAX +44 (0)113 222 0291
 MAIL info@verderflex.com
 WEB www.verderflex.com

AT Wien BE Aartselaar BG Sofia CH Basel CN Shanghai CZ Praha DE Haan FR Eragny s/Oise GB Castleford HU Budapest IT Torre Boldone JP Tokyo NL Groningen/Vleuten PL Katowice RO Bucuresti/Sibiu RU St Petersburg SK Bratislava US Newtown/Macon ZA Northriding