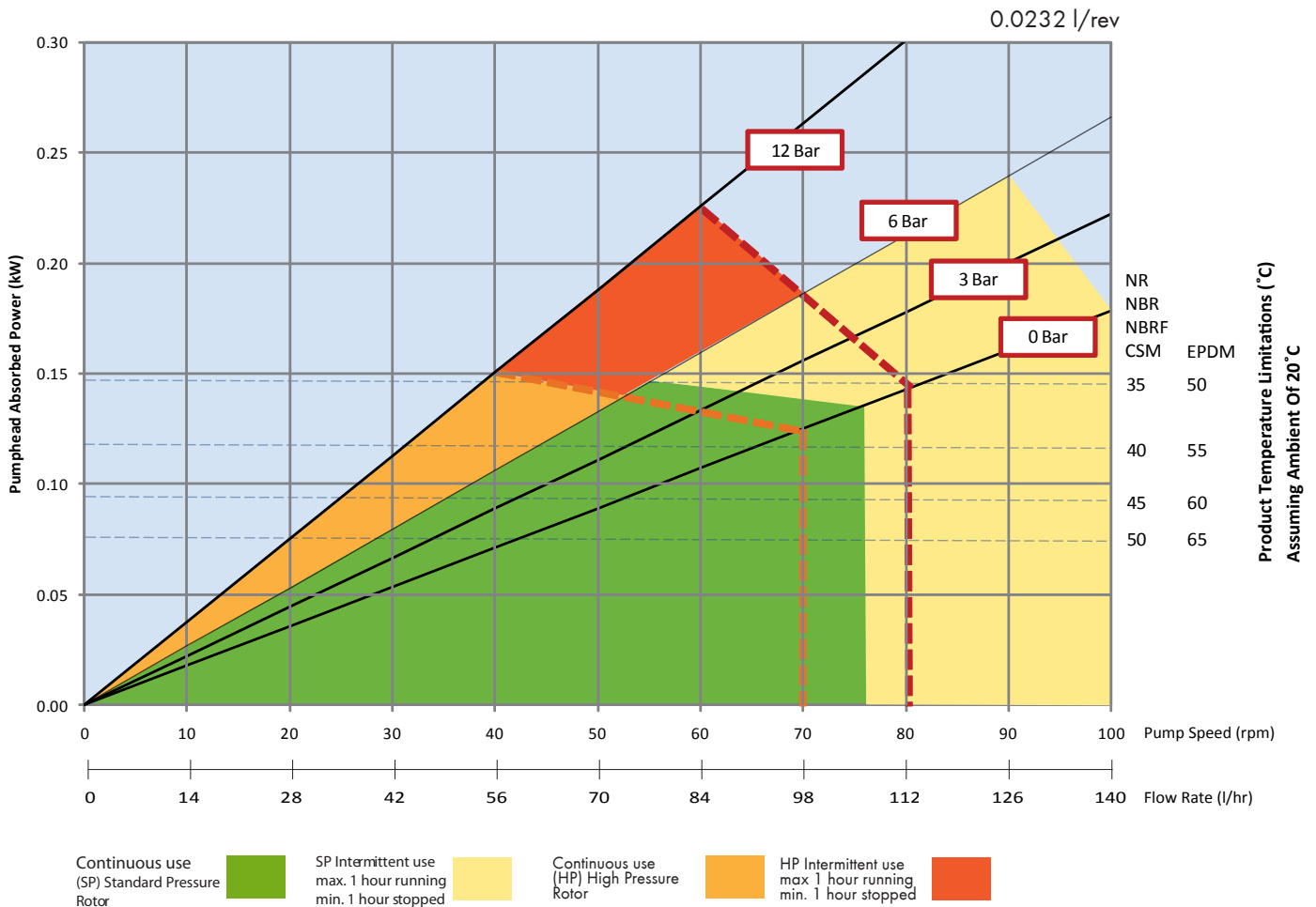


Verderflex® Dura 10 Technical Data Sheet

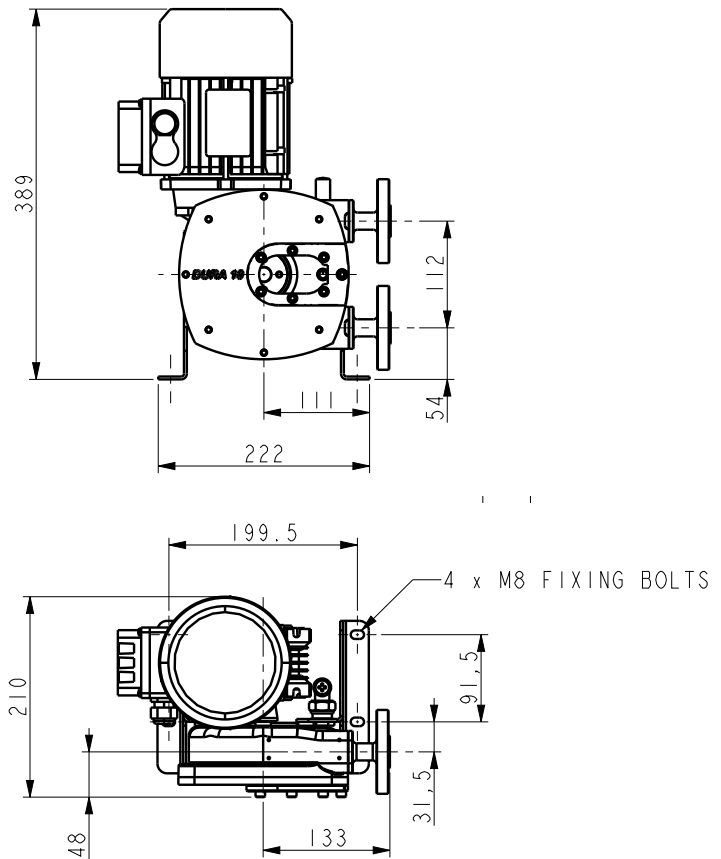
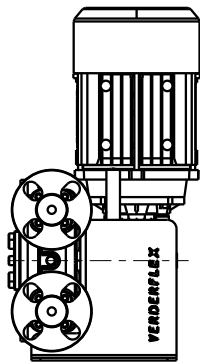


Flows are typical and were measured with water at 20°C with no suction lift or discharge pressure.
 Actual flows will vary according to suction conditions, discharge pressure and normal component production tolerances.

Description	Material	Description	Material
Pump Housing	Cast Iron GG25 (RAL 6018 - Green)	Torque Arm	Carbon Steel (RAL 7021)
Front Cover	Powder Coated Carbon Steel (RAL 7021) with Polycarbonate Inspection Window	Bearing	Bearing Steel
Rotor	Cast Iron GG25 Option: Aluminium (LM25)	Shaft Seal	Viton Option: PTFE
Drive Shaft	EN24T Steel	Lubricant	Verderlube - Glycerine based lubricant Verdersil - Silicone based lubricant
Flange	316 Stainless Steel Universal slotted design complies with DIN PN16, ANSI 150# & JIS10K Options: Polypropylene, PVDF & 316 Stainless Steel Hose Tail	Hose	Natural Rubber (NR) Options: Nitrile Buna Rubber (NBR) Ethylene Propylene Diene Monomer (EPDM), Food Grade Nitrile Buna (NBRF), Hypalon® (CSM) and Verderprene
Base Frame	Powder Coated Carbon Steel (RAL 7035 - Grey)		
Weight - Complete pump excluding drive		19 kg	

Verderflex® Dura 10 Technical Data Sheet

Typical General Assembly Drawing



Please Note: These GA drawings are for guidance only. For mounting drawings please contact an authorised Verderflex® distributor.

Standard Pump Options for 50Hz Motor Fitted With Worm Gearbox, Suitable for Inverter Duty

Flow (l/hr)	Pump Speed RPM	Installed Motor Power kW	Max Turndown at 6 Bar discharge pressure
15	11	0.09	1.5:1
25	18	0.15	1.5:1
32	23	0.18	3:1
39	28	0.25	5:1
48	35	0.25	10:1
65	47	0.37	10:1
78	56	0.37	5:1
97	70	0.37	3:1

Any application below 15 Hz may require special review

VERDERFLEX

Unit 3, California Drive, **TEL** +44 (0)1924 221 020
 Castleford WF10 5QH **FAX** +44 (0)113 222 0291
 United Kingdom **MAIL** info@verderflex.com
WEB www.verderflex.com

AT Wien **BE** Aartselaar **BG** Sofia **CH** Basel **CN** Shanghai **CZ** Praha **DE**
 Haan **FR** Eragny s/Oise **GB** Castleford **HU** Budapest **IT** Torre Boldone
JP Tokyo **NL** Groningen/Vleuten **PL** Katowice **RO** Bucuresti/Sibiu
RU St Petersburg **SK** Bratislava **US** Newtown/Macon **ZA** Northriding