



**VERDERFLEX PERISTALTIC PUMPS**

Smart S40 - 6 Roller

**Any questions?** You may still have questions and/or comments after reading this brochure. Please feel free to contact us on +44 (0)1924 221 020. You can also respond via email to [info@verderflex.com](mailto:info@verderflex.com). For more information about Verderflex please visit our website [www.verderflex.com](http://www.verderflex.com)



**VERDERFLEX**  
 Unit 3, California Drive, **TEL** +44 (0)1924 221 020  
 Castleford WF10 5QH **FAX** +44 (0)113 222 0291  
 United Kingdom **MAIL** [info@verderflex.com](mailto:info@verderflex.com)  
**WEB** [www.verderflex.com](http://www.verderflex.com)

**AT** Wien **BE** Aartselaar **BG** Sofia **CH** Basel **CN** Shanghai **CZ** Praha **DE** Haan  
**FR** Eragny s/Oise **GB** Castleford **HU** Budapest **IT** Torre Boldone  
**JP** Tokyo **NL** Groningen/Vleuten **PL** Katowice **RO** Bucuresti/Sibiu  
**RU** St Petersburg **SK** Bratislava **US** Newtown/Macon **ZA** Northriding

S406.EN.0411

# Smart 40 – 6 roller

## Physical Properties

Weight	23 kg (50.7lb)
Voltage	115V/230V
Frequency	50/60Hz
Power Consumption	330W

## Capacity

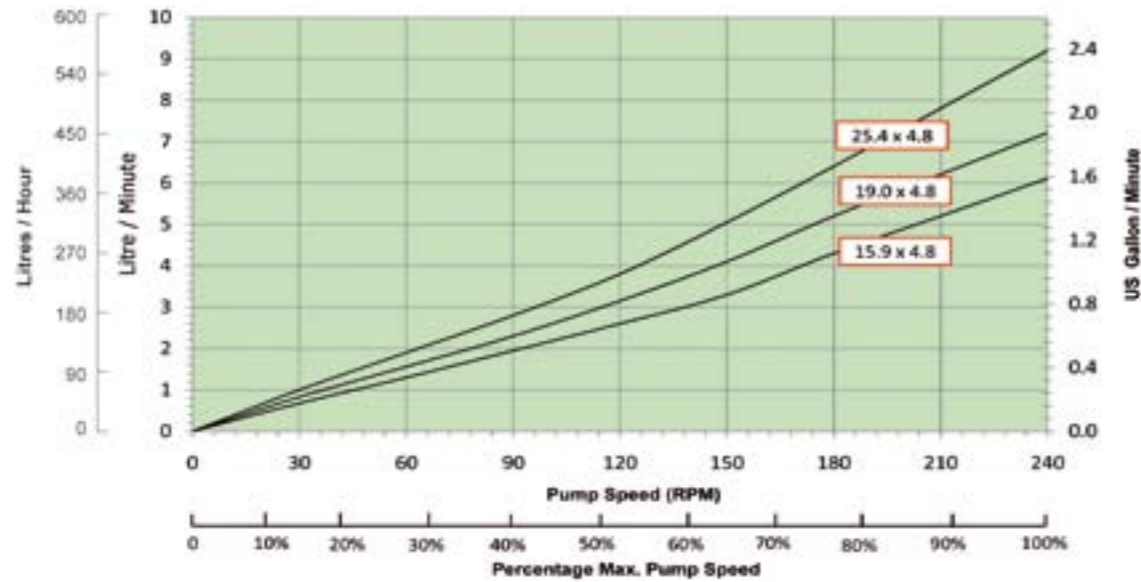
Tube ID x Wall (mm)	Min l/min	US GPH	Max l/min	US GPH
15.9 x 4.8	0.46	7.3	6.1	96.67
19.0 x 4.8	0.5	7.9	7.2	114.1
25.4 x 4.8	0.65	10.3	9.2	142.6



Measured with water at 20°C without suction or delivery pressure

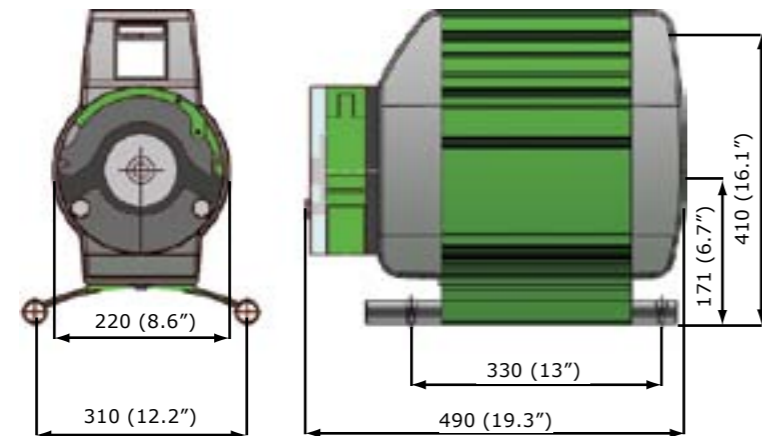
## Free Flow Curve

Flow rates with water at 20°C (68°F)



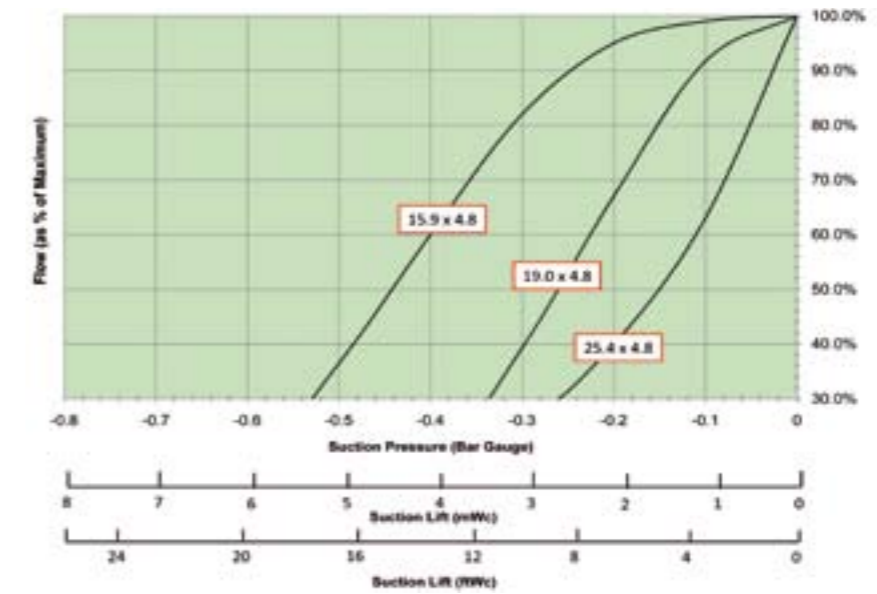
The S40 Pump Head is designed to use a 4.8mm ( $\frac{3}{16}$ " ) wall thickness tube

## General Arrangement Layout

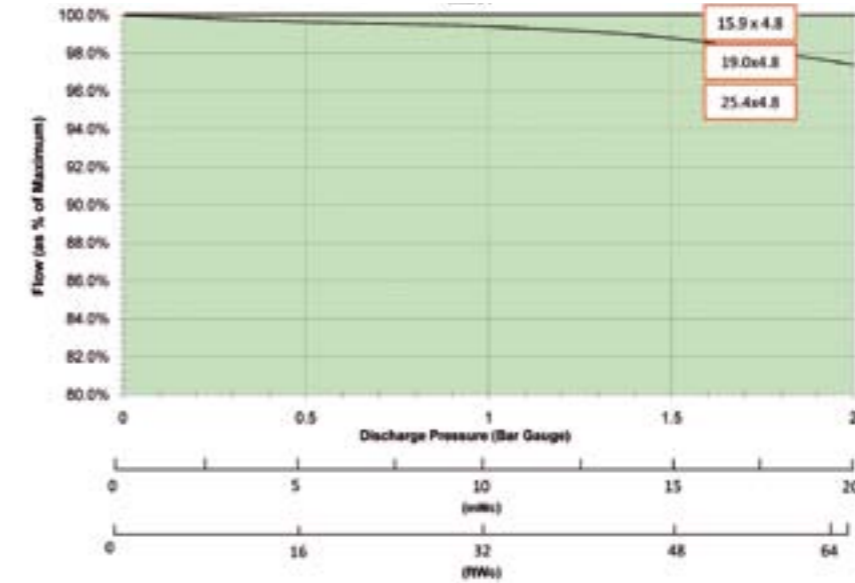


The drawings are for guidance only - all dimensions in millimetres and inches

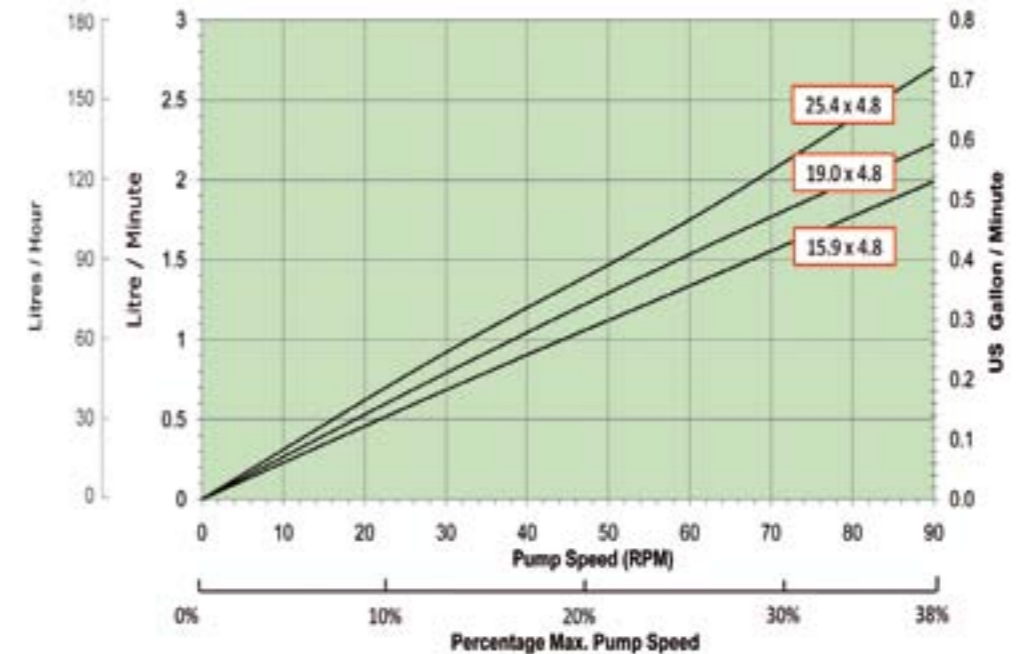
## Suction Loss



## Discharge



## Viscosity



Viscous liquid 350 cps at 22°C