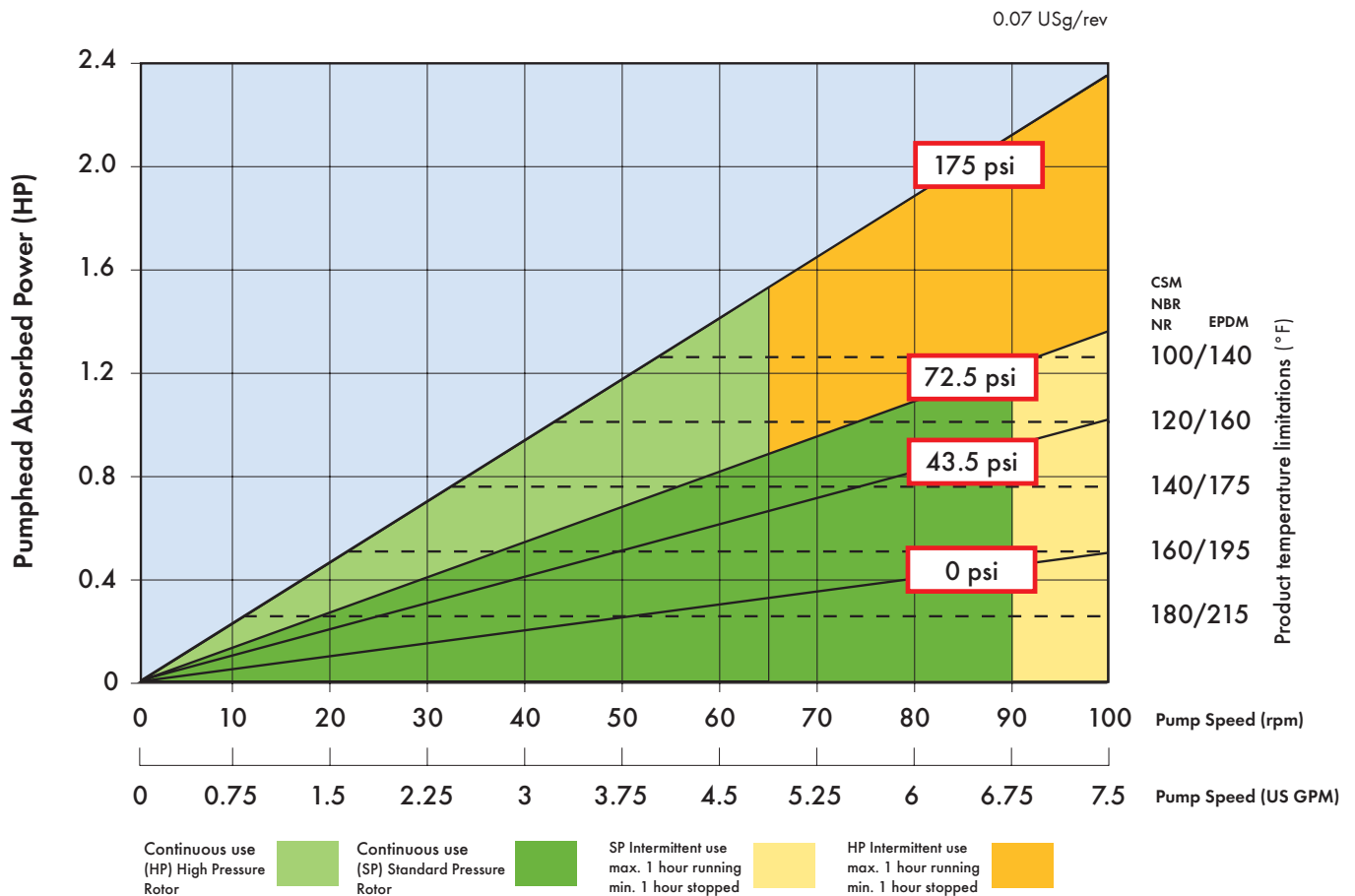


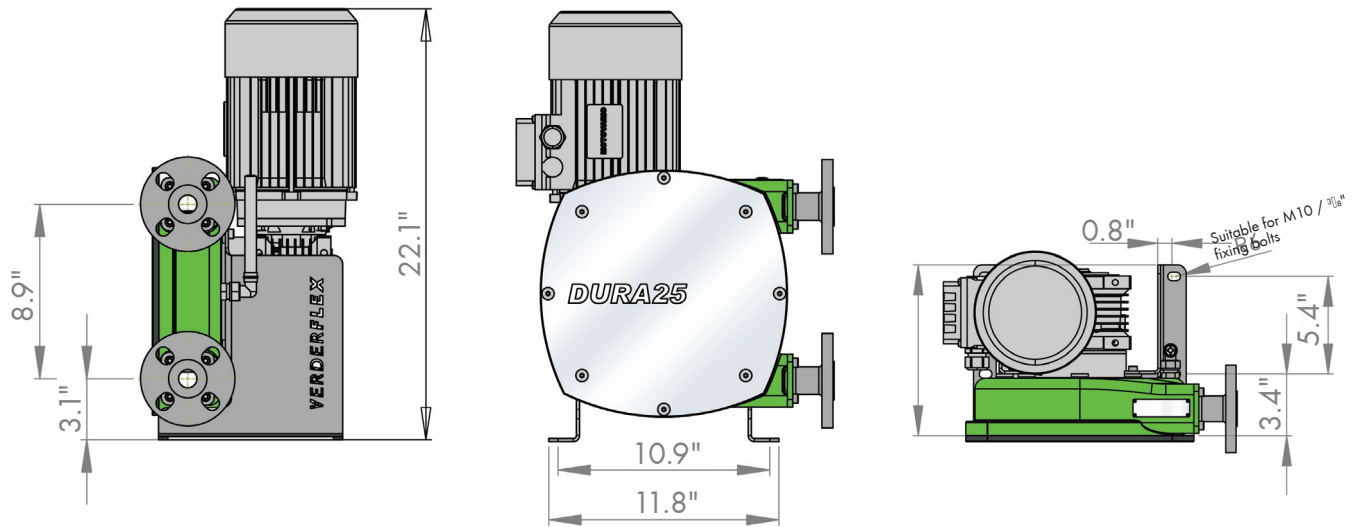
## Verderflex® Dura 25 Technical Data Sheet



Description	Material	Description	Material
Pump housing	Cast Steel ASTM A216: WCB (RAL 6018 - Green)	Torque arm	EN10025 Structural Steel (RAL 7021)
Front cover	Polycarbonate	Bearing	Stainless Steel Grade EN1.4125 (440c)
Rotor	Cast Aluminum A356.1 Option: Cast Iron ASTM A48 class 40B	Shaft seal	NBR Option: Viton, PTFE
Drive shaft	EN24T Steel	Lubricant	Verderlube - Glycerine based lubricant Verdersil - Silicon based lubricant
Flange	Stainless Steel Grade EN.14571(316)	Hose	NR, Option: NBR, EPDM & CSM
Flange coating option	Halar® Anti-Corrosion coating		
Base frame	Powder Coated Mild Steel (RAL 7035 - Grey)		
Weight - Complete pump including drive			108 lbs
Inverter (Optional)			6½ lbs

# Verderflex® Dura 25 Technical Data Sheet

## General Assembly Drawing



Please Note: These GA drawings are for guidance only. For mounting drawings please contact an authorised Verderflex® distributor.

## Standard Pump Configurations (Including Natural Rubber hose)

Flow US GPM	Pump Speed RPM	Installed Motor Power HP	Part Number Std Rotor (for up to 90 PSI discharge pressure)	Part Number HP Rotor (for up to 115 PSI discharge pressure)
0.98	13	1/2	137.2000	137.2100
1.35	18	1/2	137.2010	137.2110
1.65	22	3/4	137.2020	137.2120
2.10	28	3/4	137.2030	137.2130
2.55	34	1	137.2040	137.2140
3.15	42	1 1/4	137.2050	137.2150
4.20	56	1 1/2	137.2060	137.2160
5.03	67	2	137.2070	137.2170
6.31	84	2	137.2080	137.2180

- Standard order options include NEMA 4 protection, ATEX compliant pumps, thermistors and forced fan cooling.
- Dura pumps for discharge pressures over 115 PSI are available to special order

VERDER Ltd

Whitehouse Street, Hunslet, LEEDS, LS10 1AD • Tel: +44 (0)113 222 0281 • Fax: +44 (0)113 222 0291 • info@verderflex.com

Affiliated companies:

A Wien • B Aartselaar • CZ Praha • D Haan • F Eragny s/Oise • GB Leeds • H Budapest • JPN Tokyo  
NL Groningen/Vleuten • PL Katowice • RO Bucaresti • SA Johannesburg • USA Newtown/Macon

[www.verderflex.com](http://www.verderflex.com)