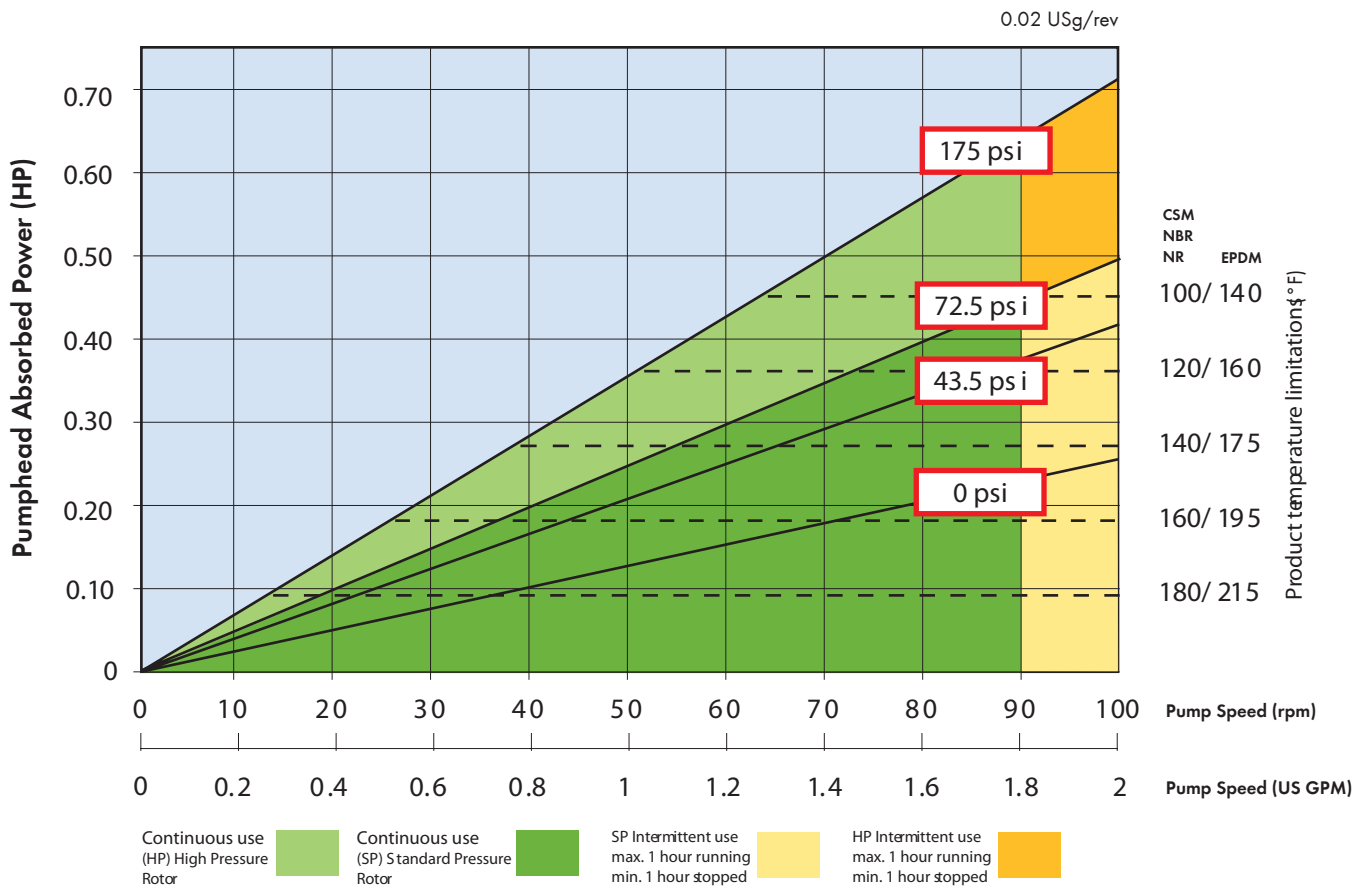


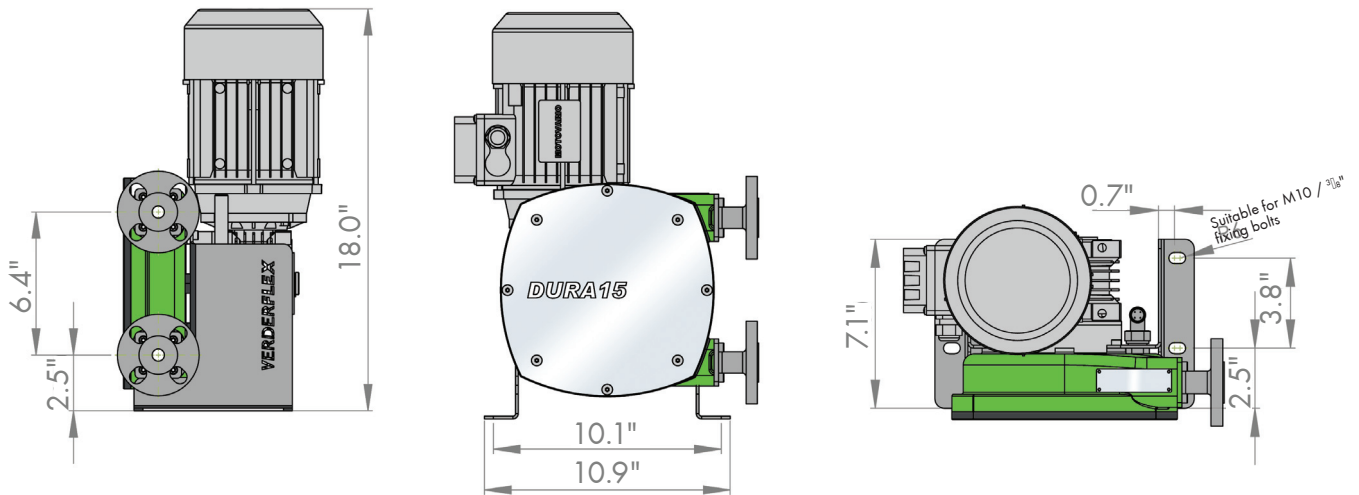
## Verderflex® Dura 15 Technical Data Sheet



| Description                            | Material   | Description | Material  |
|--|--|-------------|---|
| Pump housing                           | Cast Steel ASTM A216: WCB (RAL 6018 - Green)                 | Torque arm  | EN10025 Structural Steel (RAL 7021)   |
| Front cover                            | Polycarbonate  | Bearing     | Stainless Steel Grade EN1.4125 (440c)   |
| Rotor                                  | Cast Aluminum A356.1<br>Option: Cast Iron ASTM A48 class 40B | Shaft seal  | Viton<br>Option: PTFE   |
| Drive shaft                            | EN24T Steel  | Lubricant   | Verderlube - Glycerine based lubricant<br>Verdersil - Silicon based lubricant |
| Flange                                 | Stainless Steel Grade EN.14571(316)                          | Hose        | NR,<br>Option: NBR, EPDM & CSM  |
| Flange coating option                  | Halar® Anti-Corrosion coating                                |             |   |
| Base frame                             | Powder Coated Mild Steel (RAL 7035 - Grey)                   |             |   |
| Weight - Complete pump including drive |  |             | 66 lbs  |
| Inverter (Optional)                    |  |             | 6½ lbs  |

# Verderflex® Dura 15 Technical Data Sheet

## General Assembly Drawing



Please Note: These GA drawings are for guidance only. For mounting drawings please contact an authorised Verderflex® distributor.

## Standard Pump Configurations (Including Natural Rubber hose)

| Flow<br>US GPM | Pump Speed<br>RPM | Installed Motor<br>Power HP | Part Number<br>Std Rotor<br>(for up to 90 PSI<br>discharge pressure) | Part Number<br>HP Rotor<br>(for up to 115 PSI<br>discharge pressure) |
|----------------|-------------------|-----------------------------|--|--|
| 0.26           | 13                | 1/4                         | 137.1000   | 137.1100   |
| 0.36           | 18                | 1/3                         | 137.1010   | 137.1110   |
| 0.44           | 22                | 1/3                         | 137.1020   | 137.1120   |
| 0.56           | 28                | 1/2                         | 137.1030   | 137.1130   |
| 0.68           | 34                | 1/2                         | 137.1040   | 137.1140   |
| 0.84           | 42                | 1/2                         | 137.1050   | 137.1150   |
| 1.12           | 56                | 3/4                         | 137.1060   | 137.1160   |
| 1.35           | 67                | 3/4                         | 137.1070   | 137.1170   |
| 1.69           | 84                | 1                           | 137.1080   | 137.1180   |

- Standard order options include NEMA 4 protection, ATEX compliant pumps, thermistors and forced fan cooling.
- Dura pumps for discharge pressures over 115 PSI are available to special order

VERDER Ltd

Whitehouse Street, Hunslet, LEEDS, LS10 1AD • Tel: +44 (0)113 222 0281 • Fax: +44 (0)113 222 0291 • info@verderflex.com

Affiliated companies:

A Wien • B Aartselaar • CZ Praha • D Haan • F Eragny s/Oise • GB Leeds • H Budapest • JPN Tokyo  
NL Groningen/Vleuten • PL Katowice • RO Bucaresti • SA Johannesburg • USA Newtown/Macon

[www.verderflex.com](http://www.verderflex.com)