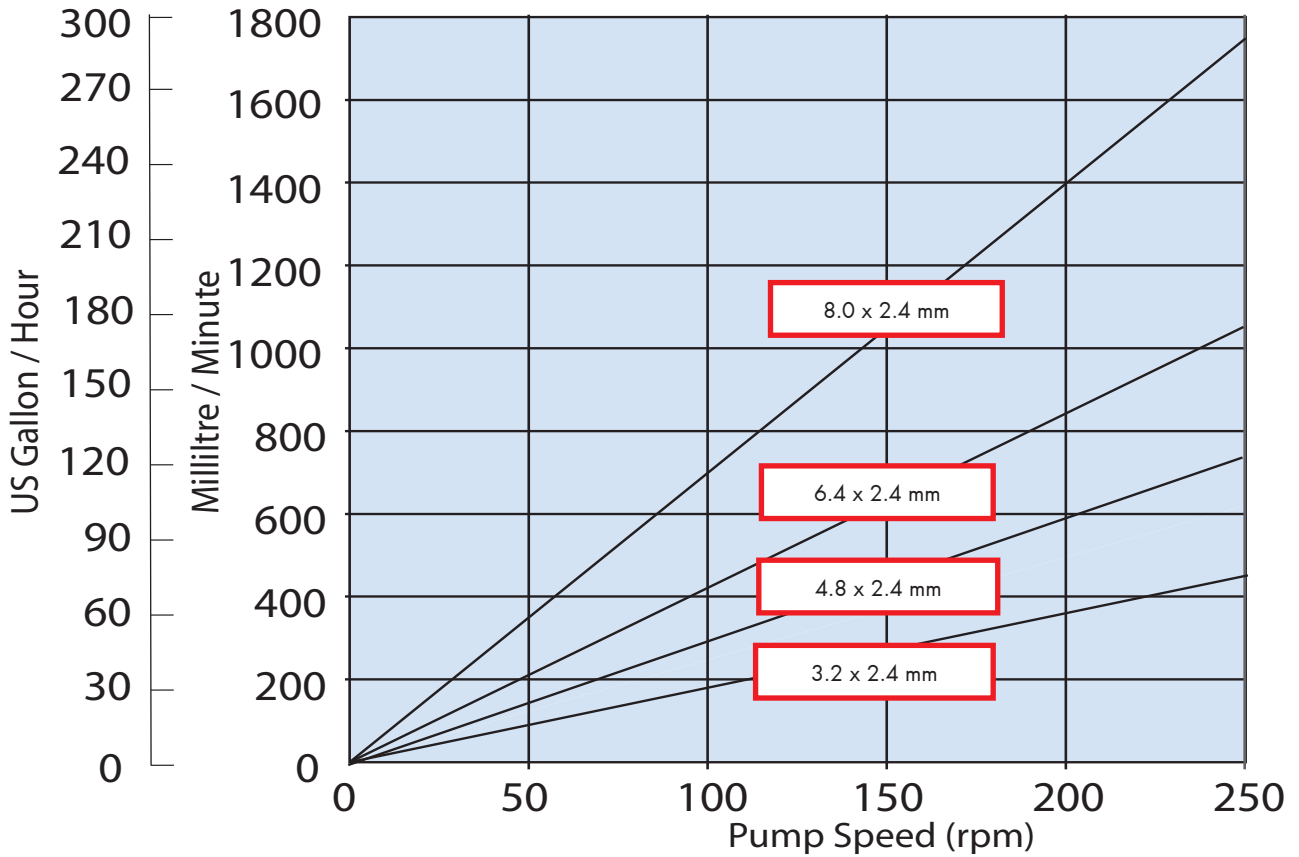


Verderflex® S10 Pump Head Technical Data Sheet

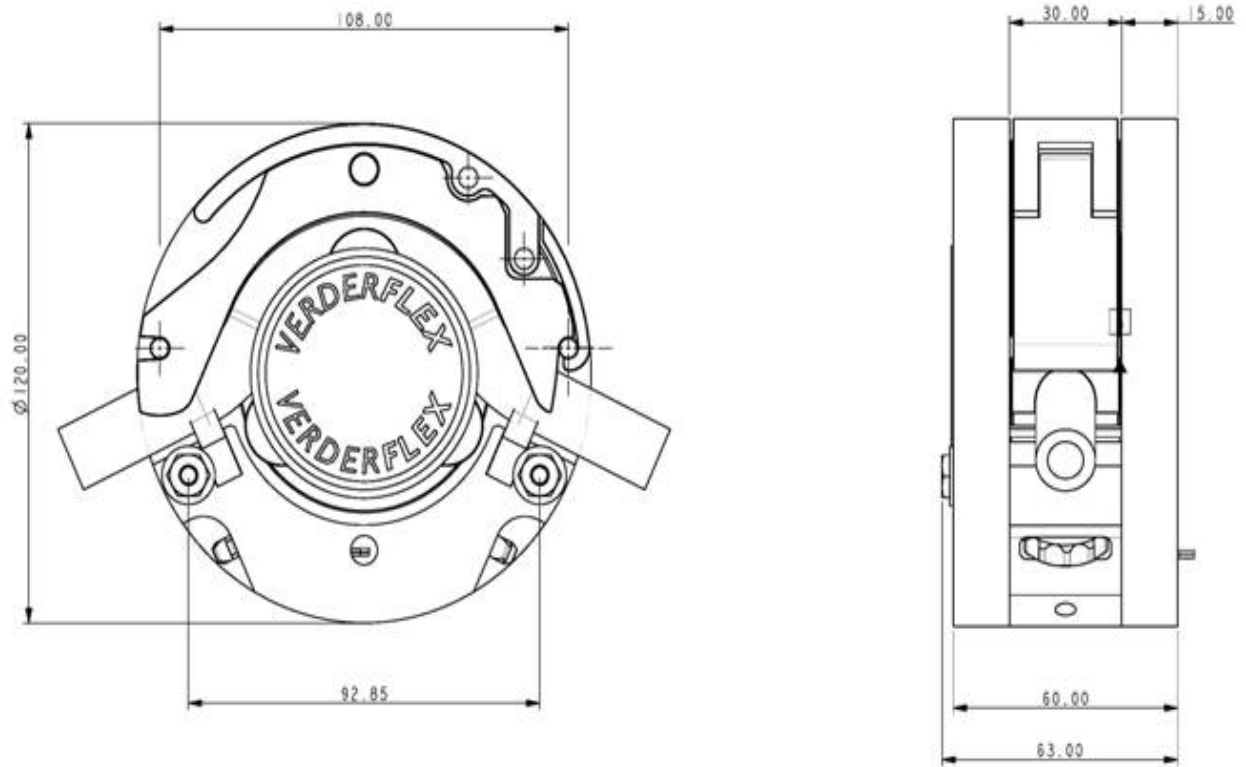


Pump Specifications

Easy-fit tube saddle for rapid tube changes	BS1474 6082 TF Aluminium Alloy construction
Fits a range of tube sizes & materials	Stainless Steel rotor shaft
Simple adjustable tube clamping system	Polyoxymethylene (POM) clamp-base
Fits a variety of pump enclosures	Polymethylmethacrylate (PMMA) clear cover
Multi-channel capability (up to 4 heads)	Nylatron Rollers
Special 2 mm Wall Thickness version	Working Temperature 5 - 40°C or 41 - 104°F (TA = +20°C or 68°F)

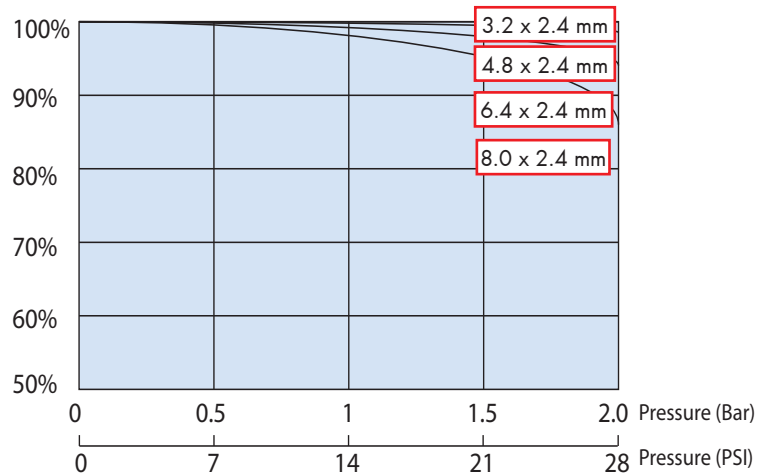
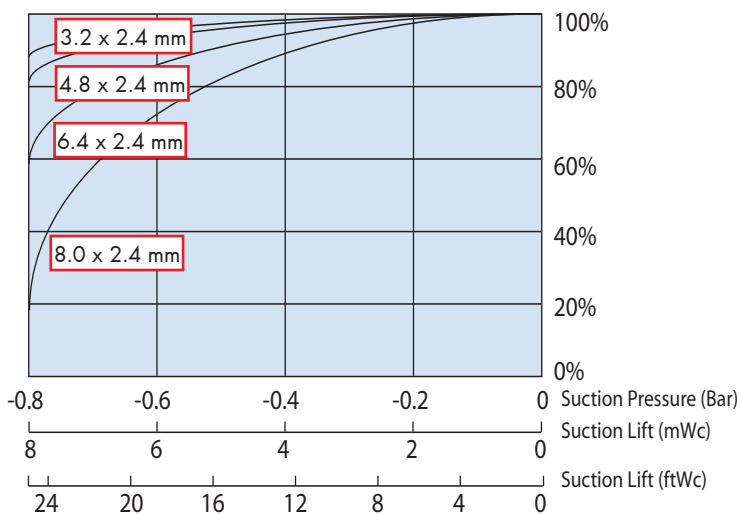
Verderflex® S10 Pump Head Technical Data Sheet

General Assembly Drawing



Correction graphs for suction and discharge

Capacity/Flow loss depends on suction head



VERDER Ltd

Whitehouse Street, Hunslet, LEEDS, LS10 1AD • Tel: +44 (0)113 222 0250 • Fax: +44 (0)113 222 0291 • info@verderflex.com

Affiliated companies:

A Wien • B Aartselaar • CZ Praha • D Haan • F Eragny s/Oise • GB Leeds • H Budapest • JPN Tokyo
NL Groningen/Vleuten • PL Katowice • RO Bucuresti • SA Johannesburg • USA Newtown