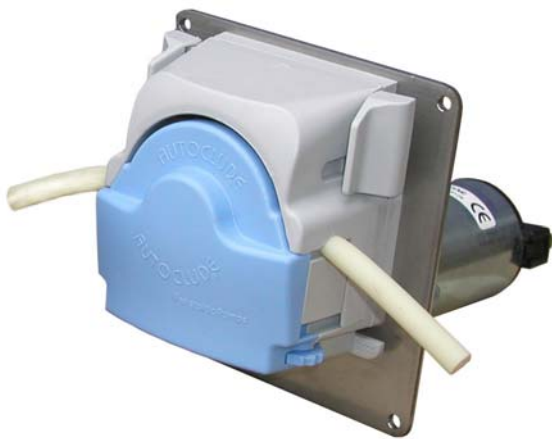


EASY TUBE LOADING PUMP

MODEL: AU EZ d.c. PUMP FIXED/VARIABLE SPEED



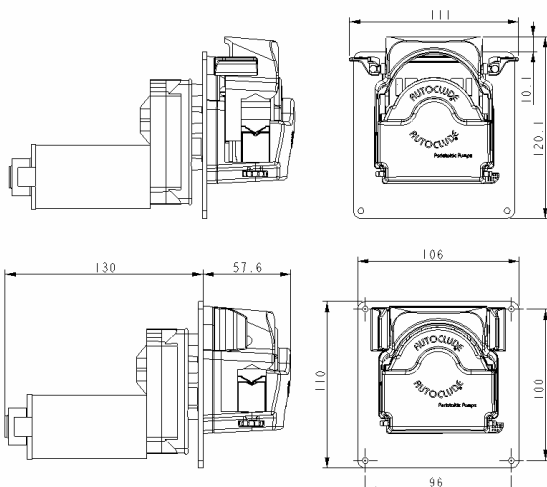
Easy tube loading peristaltic pump with 3-roller rotor as standard, stainless steel mounting plate and 12 or 24 vdc gear motor. Integral pump head drive shaft with ball dual ball race bearings.

Six available drive options combined with six tube sizes giving wide range of flow rates. Connection to a speed control circuit will give variable flow capability.

Pumps can be supplied with tubing in five different materials to meet the chemical compatibility demands of today.

The quick and simple tube change only takes seconds.

For stackable options see **MODEL AU ES**.



Weight: 1.3Kg

- Pump head : Polyamide, acetal and stainless steel.
- Gear motor : Permanent magnet with replaceable brushes
- Power supply : 12 or 24 vdc
- Tube materials : Autoprene, Silicone, Tygon, Viton and Prothane II

Easy tube loading pump d.c.						
Nominal flow rate ml/min						
Tube	0.8mm	1.6mm	3.2mm	4.8mm	6.3mm	8.0mm
60 rpm	4.6	16	64	140	225	315
100 rpm	7.7	28	108	235	375	525
160 rpm	12.3	44	172	375	600	840

Identify required flow rate in above table and select largest tube size with slowest motor speed to achieve best tube life.

The **NEW** easy tube loading stackable peristaltic pump from Autoclude will meet the requirement for simple trouble free use, other options available are;

- As an **OEM pump** with a.c. gearmotors
- Variable speed and programmable **Cased units**
- **Stackable heads** with simple rotation lock feature, fast and simple

Ordering information;

Pump Assembly

12vdc	Part no.	24vdc	Part no.
60RPM	AU EZ3R16.060.02	60RPM	AU EZ3R16.060.01
100RPM	AU EZ3R16.100.02	100RPM	AU EZ3R16.100.01
160RPM	AU EZ3R16.160.02	160RPM	AU EZ3R16.160.01

Tubing

Bore x wall	Autoprene	Silicone	Tygon	Viton	Prothane II
0.8mm x 1.6mm	T0016 SAT 24	T0016 SLT 25	T0016 TYG 00	T0016 VIT 00	T0016 PRO 00
1.6mm x 1.6mm	T0016 SAT 07	T0016 SLT 12	T0016 TYG 12	T0016 VIT 16	T0016 PRO 16
3.2mm x 1.6mm	T0016 SAT 08	T0016 SLT 16	T0016 TYG 13	T0016 VIT 10	T0016 PRO 10
4.8mm x 1.6mm	T0016 SAT 01	T0016 SLT 02	T0016 TYG 10	T0016 VIT 02	T0016 PRO 03
6.3mm x 1.6mm	T0016 SAT 03	T0016 SLT 03	T0016 TYG 15	T0016 VIT 00	T0016 PRO 00
8.0mm x 1.6mm	T0016 SAT 04	T0016 SLT 04	T0016 TYG 00	T0016 VIT 04	T0016 PRO 00